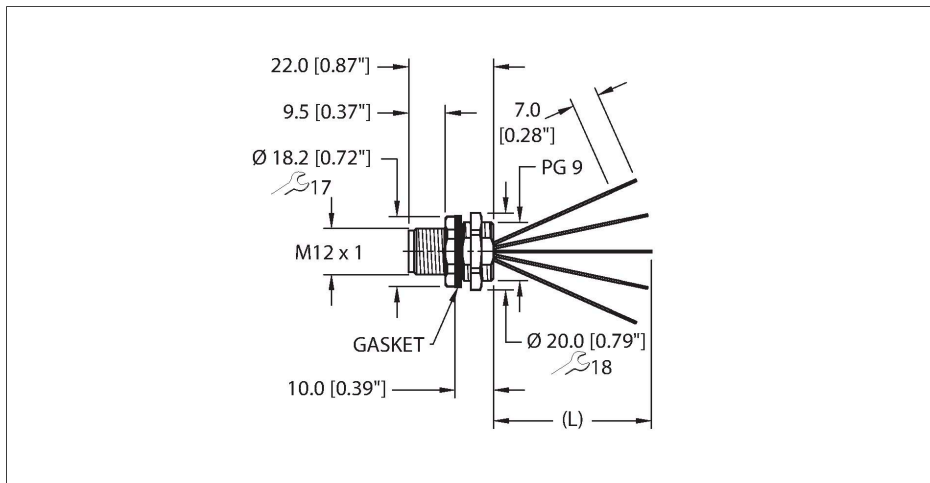


# EFSVQ-A5.500.2-\*

## Actuator and Sensor Receptacle – Front-mounted



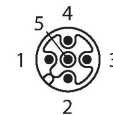
### Features



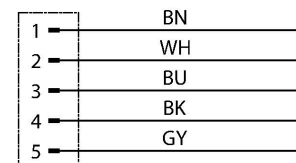
- M12 female connector, straight, 5-pin
- M12 female connector, straight, 5-pin
- Conductor length: 1.0 m

### Contact assignment

#### Connector A



### Diagram



### Technical data

<b>Type</b>	EFSVQ-A5.500.2-*
Ident. no.	777043760
<b>Connector A</b>	Male, M12 x 1, A-code
Design specification	acc. to IEC 61076-2-101
Number of pins	4
Contacts	Bronze, CuSn, Gold-plated
Contact carriers	Plastic, TPU, Black
Flange housing	Stainless Steel, Passivate
Mounting type	front panel mounting
Screw-in thread seal	Seal, NBR
Screw-in thread	1/4"-18 NPT
	BrassCuZnNickel-plated
Mechanical lifespan	> 100 Mating cycles
Pollution degree	3
Protection class	IP67, IP68, IP69K
	NEMA: 1, 3, 4, 6P, 12
Tightening torque (range)	0.4 ... 1.8 Nm (observe max. torque of mating connector!)
<b>Stranded wires</b>	
	5
Cable length	1 m (+ 50 mm or 4 % of the length/-0.0, depending on which value is larger)
Conductor material	?
Core insulation	PVC
Core cross-section	22 AWG [Similar to 0.34 mm <sup>2</sup> ]
Core colors	BN, WH, BU, BK, GY
<b>Electrical properties at +20 °C</b>	
	300 V <sub>DC</sub> /250 V <sub>AC</sub>

## Technical data

Current	5 A
---------	-----

**Mechanical and chemical properties**

Stationary	-40 °C...+105 °C
------------	------------------

**Approval**

Approvals	UL 2238 CSA C22.2 No. 182.3 CE RoHS
-----------	----------------------------------------------

**Note**

- We reserve the right to make technical modifications without prior notice.