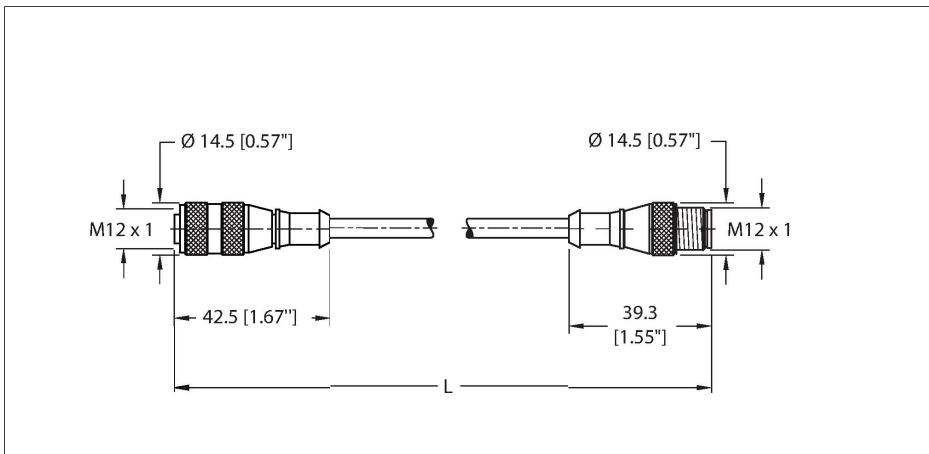


RK 12T-x-RS 12T

Actuator and Sensor Cable – Connection Cable



Technical data

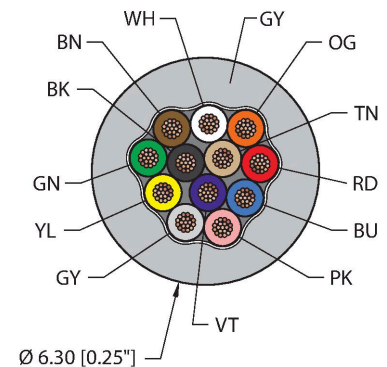
Type	RK 12T-x-RS 12T
Ident. no.	777002585
Connector A	Female, M12 × 1, Straight, A-code
Design specification	acc. to IEC 61076-2-101
Number of pins	12
Contacts	Bronze, CuSn, Gold-plated
Contact carriers	Plastic, TPU, Black
Connector body	Plastic, TPU, Yellow
Coupling nut/screw	Brass, CuZn, Nickel-plated
Seal	O ring, Plastic, FKM/FPM
Mechanical lifespan	> 100 Mating cycles
Pollution degree	3
Protection class	IP68, IP69K
	NEMA: 1, 3, 4, 6P
Tightening torque (range)	0.8 ... 1 Nm (observe max. torque of mating connector!)
Connector B	Male, M12 × 1, Straight, A-coded
Design specification	acc. to IEC 61076-2-101
Number of pins	12
Contacts	Bronze, CuZn, Gold-plated
Contact carriers	Plastic, TPU, Black
Connector body	Plastic, TPU, Yellow
Coupling nut/retaining screw	Brass, CuZn, Nickel-plated
Mechanical lifespan	> 100 Mating cycles
Pollution degree	3
Protection class	IP68, IP69K
	NEMA: 1, 3, 4, 6P
Tightening torque	0.8 ... 1 Nm

Features



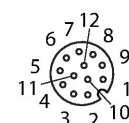
- M12 female connector, straight, 12-pin
- M12 male connector, straight, 12-pin
- General Purpose Cable
- Gray PVC jacket, 12X24 AWG
- -40 Cold Bend Rating
- Flame Ratings: UL1061, CSA FT1

Cable Cross-Section

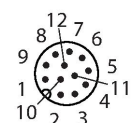


Contact assignment

Connector A



Connector B



Technical data

(observe max. torque of mating connector!)

Cable	
Cable ID	RF50991
	12
Cable diameter	Ø 6.3 mm
Cable jacket	PVC, Gray
Conductor diameter	0.043 "
Conductor material	?
Core insulation	PVC
Core cross-section	12 x 24 AWG [Similar to 0.25 mm ²]
Arrangement of strands	19 x 36 AWG
Core colors	WH, BN, GN, YE, GY, PK, BU, RD, OR, TN, BK, VT
Electrical properties at +20 °C	
Rated voltage	75 V
Current	2 A
Mechanical and chemical properties	
Bending radius (stationary installation)	≥ 5 x Ø
Bending radius (flexible use)	≥ 10 x Ø
Cold flexural strength	-40 °C
Bending cycles 20 x Ø	10 million *
Stationary	-40 °C...+105 °C
In motion	-40 °C...+105 °C
	-20 °C...+105 °C
Approval	
Approvals	UL 2238 CSA C22.2 No. 182.3 CE RoHS
Note	
	- Flex values can be reduced when used in extreme temperatures, in contact with certain chemicals, above the nominal speed or below the nominal bending radius.
	- We reserve the right to make technical modifications without prior notice.

Diagram

