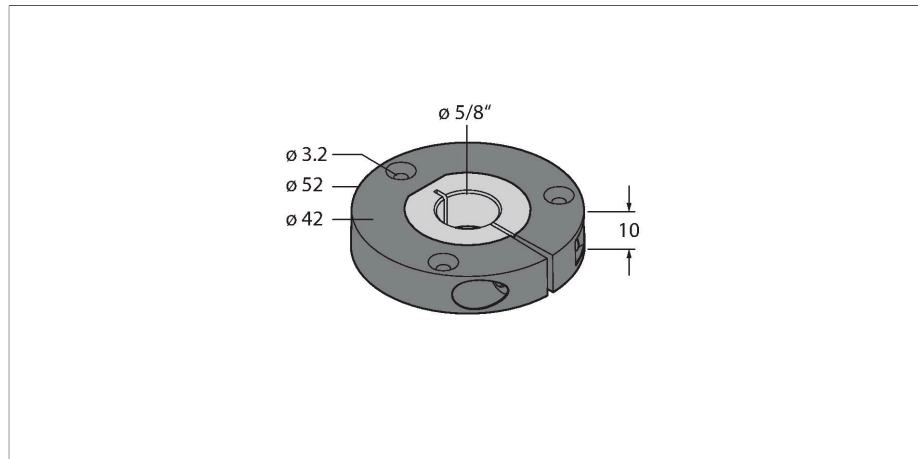


P10-RI-QR24

Accessories – Positioning Element

For Encoders RI-QR24



Features

- Positioning element, for Ø 5/8" shafts

Technical data

Type	P10-RI-QR24
Ident. no.	1593013
Housing material	Metal/plastic